

Eaton Rack Power Module (RPM)



The RPM delivers up to 36 kW of power in an organized manner to loads of various voltages, power cords and layouts. The 3U RPM can be deployed in the same rack with the UPS and IT equipment; there's no need for a dedicated infrastructure rack. The resulting architecture has fewer cables to manage, fewer distribution points to monitor, and greater flexibility for IT personnel to make changes without an electrician.

Features

- Provides plug-and-play primary distribution of power from three-phase input source to secondary power distribution devices
- Serves data center loads with various voltages, power cord configurations and layouts
- Distributes three-phase power to 12 poles, grouped into two sets of six poles, with choice of output receptacle types
- "Power Equalizer" LED display gives quick visual indication of each circuits load, reducing possibility of overloads and breakers tripped off line.
- Load information available from the front of the rack, no need to check individual power strips in the rear of the cabinet (hot isle).
- Branch circuit monitoring option allows easy load monitoring over the network.
- Installs in only 3U of space in EIA 19" rack or enclosure (or wall-mounted), all hardware included
- Enables customer installation and changes without the services of a licensed electrician

Topsellers

Need a RPM quickly? Choose one of the Topseller models for same-day shipping. (On orders placed by 3pm EST)

Part number	Input cable	Receptacles		Metering	TVSS
		Recep 1	Recep 2		
Y03113011100000	BladeUPS 208V 15'	L21-20 (2)	L21-20 (2)	Local Power Meter	No
Y03113022100000	BladeUPS 208V 15'	L21-30 (2)	L21-30 (2)	Local Power Meter	No
Y03113055100000	BladeUPS 208V 15'	L6-30 (3)	L6-30 (3)	Local Power Meter	No
Y03113047100000	BladeUPS 208V 15'	L6-20 (3)	5-20 (6)	Local Power Meter	No
Y03113017100000	BladeUPS 208V 15'	L21-20 (2)	5-20 (6)	Local Power Meter	No
Y031130FF100000	BladeUPS 208V 15'	L15-30 (2)	L15-30 (2)	Local Power Meter	No



Powering Business Worldwide

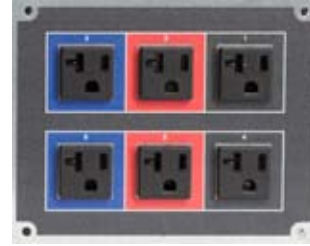
OUTPUT RECEPTACLE PLATES



L21-20R*, L21-30R,
L15-20R, L15-30R



L6-15R, L6-20R*, L6-30R,
L14-20R, L14-30R



5-15R, 5-20R*



IEC320-C13 (208V)*,
IEC320-C13 (230V)

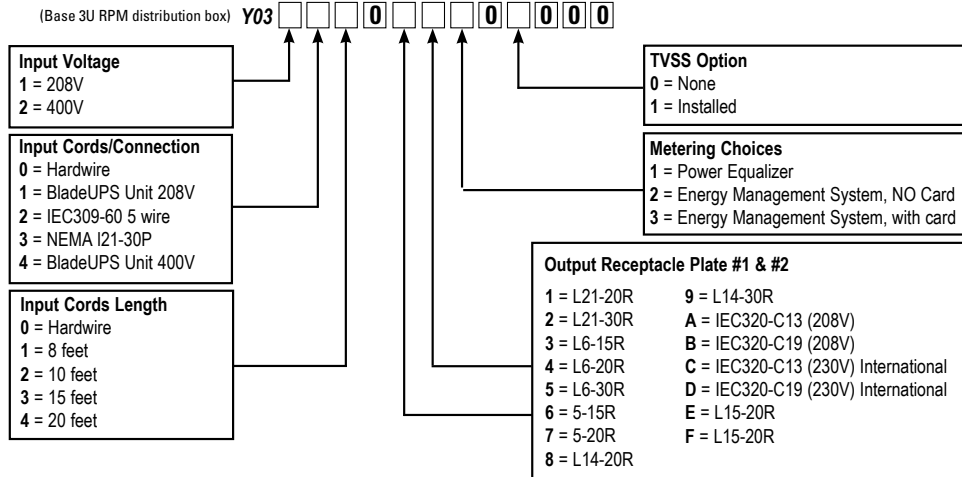


IEC320-C19 (208V)*,
IEC320-C19 (230V)

* - pictured

EATON RACK POWER MODULE CONFIGURATOR

Rack Power Module (RPM)



PowerChain Management®

UNITED STATES
8609 Six Forks Road
Raleigh, NC 27615 U.S.A.
Toll Free: 1.800.356.5794

www.eaton.com/powerquality

CANADA
Ontario: 416.798.0112
Toll free: 1.800.461.9166

LATIN AMERICA
Argentina: 54.11.4124.4000
Brazil: 55.11.3616.8500
México: 52.55.9000.5252

EUROPE/MIDDLE EAST/AFRICA
Denmark: 45.3686.7910
Finland: 358.94.52.661
France: 33.1.6012.7400
Germany: 49.0.7841.604.0
Italy: 39.02.66.04.05.40
Norway: 47.23.03.65.50
Portugal: 55.11.3616.8500
Sweden: 46.8.598.940.00
United Kingdom: 44.1753.608.700

ASIA PACIFIC
Australia: 61.2.9693.9366
New Zealand: 64.0.3.343.3314
China: 86.21.6361.5599
HK/Korea/Taiwan: 852.2745.6682
India: 91.11.2649.9414 to 18
Singapore/SEA: 65.6825.1668

Eaton, PowerChain Management and ePDU are trade names, and/or service marks of Eaton Corporation or its subsidiaries and affiliates.

All other trademarks are property of their respective owners.

©2009 Eaton Corporation
All Rights Reserved
Printed in USA
PDU13FXA
February 2009